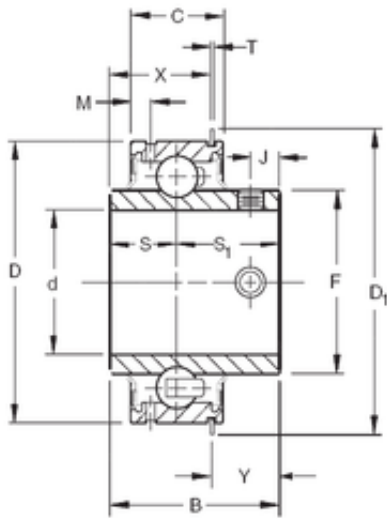




# BEARING INDIA PRIVATE LTD.



## 31.75 mm x 72 mm x 42,86 mm Timken ER20DD Ball Insert Bearings

Bearing No. ER20DD

Size	31.75x72x42.86 mm
Bore Diameter	31.75 mm
Outer Diameter	72 mm
Width	42,86 mm
d	31.75 mm
D	72 mm
B	42,86 mm
C	23,81 mm
Y	19,76 mm
S1	25,4 mm
X	23,11 mm
D1	78,2 mm
F	46,83 mm
J	7,94 mm
M	5,56 mm
S	17,46 mm
T	1,6 mm
Thread (G)	M8X1,25

ER20DD Bearing 2D drawings and 3D CAD models