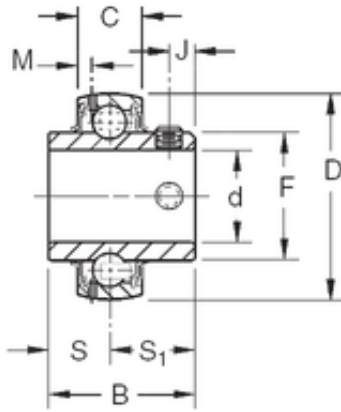




BEARING INDIA PRIVATE LTD.

50,8 mm x 90 mm x 51,59 mm Timken GY1115KRRB3 Ball Insert Bearings



Bearing No. GY1115KRRB3

Size	50.8x90x51.59 mm
Bore Diameter	50,8 mm
Outer Diameter	90 mm
Width	51,59 mm
d	50,8 mm
D	90 mm
B	51,59 mm
C	22 mm
S1	32,54 mm
F	62,84 mm
J	10 mm
M	4,7 mm
S	19,05 mm
Thread (G)	M10X1,5
Basic dynamic load rating (C)	39 kN

GY1115KRRB3 Bearing 2D drawings and 3D CAD models