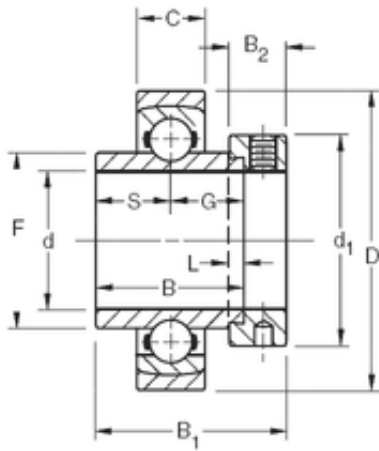




BEARING INDIA PRIVATE LTD.

55,5625 mm x 110 mm x 55,56 mm Timken SM1203KS Ball Insert Bearings



Bearing No. SM1203KS

Size	55.5625x110x55.56 mm
Bore Diameter	55,5625 mm
Outer Diameter	110 mm
Width	55,56 mm
d	55,5625 mm
D	110 mm
B	55,56 mm
C	21 mm
d1	76,2 mm
B1	71,4 mm
B2	20,6 mm
F	69,77 mm
G	27,8 mm
L	4,8 mm
S	27,8 mm
Weight	1,748 Kg
Basic dynamic load rating (C)	48 kN

SM1203KS Bearing 2D drawings and 3D CAD models